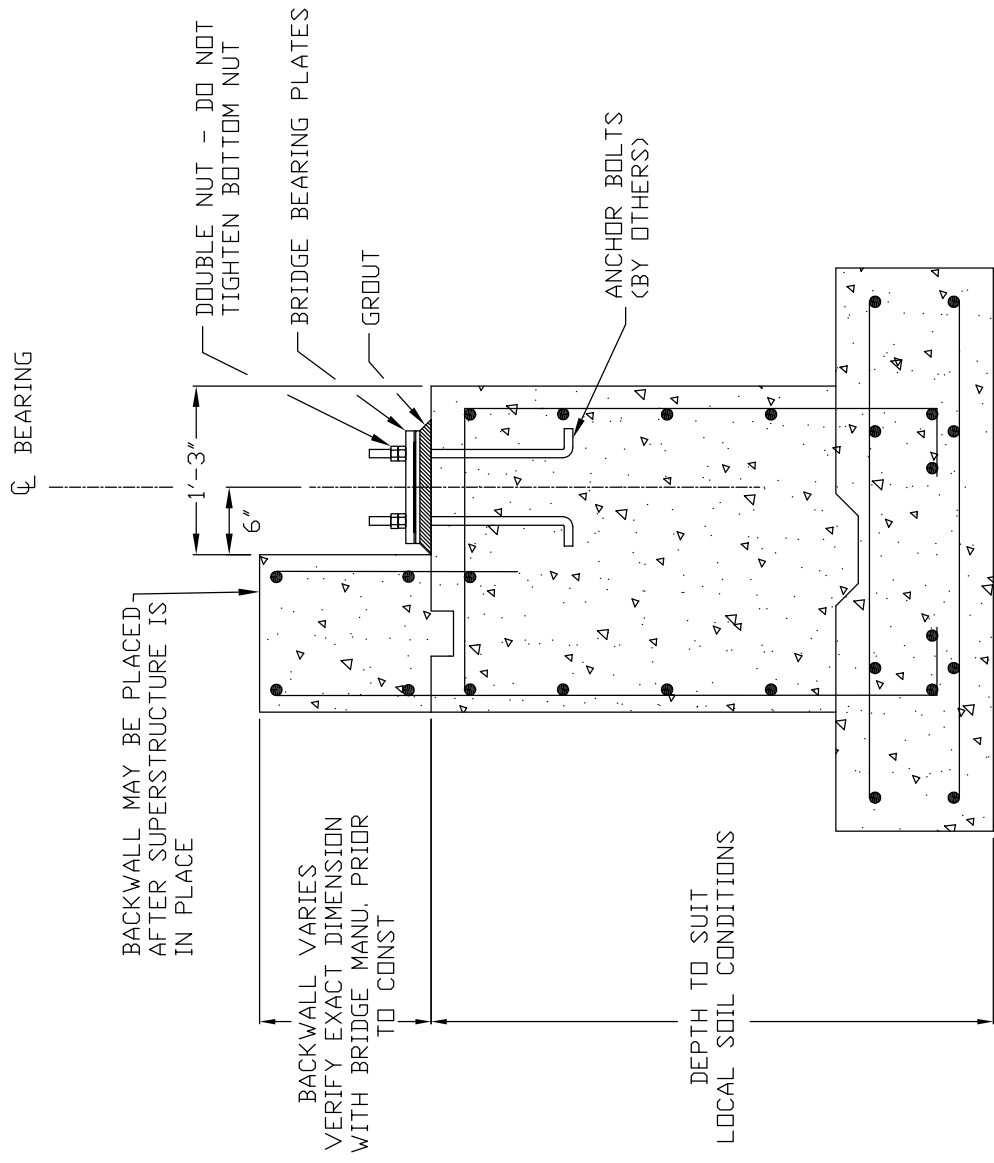
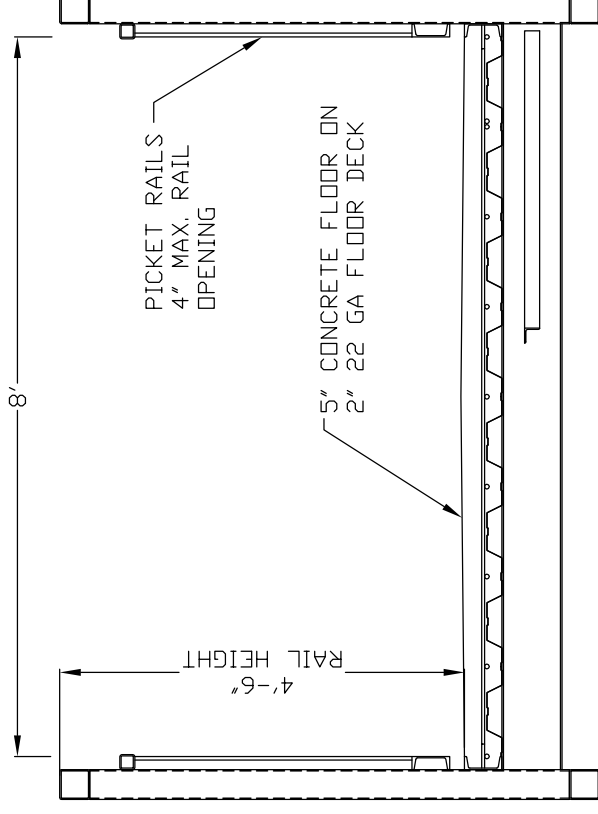


BRIDGE SIDE
ELEVATION VIEW



TYPICAL ABUTMENT CROSS SECTION
ABUTMENT TO BE DESIGNED BY OTHERS



BRIDGE CROSS
SECTION

REV	A	DESCRIPTION	X	BY/DATE	X	CHECKED BY	X
A DIVISION OF BAILEY BRIDGES, INC. 119 40th Street NE Fort Payne, AL 35967 1-866-708-5778							
PROJECT:	REFERENCE DRAWING	DRAWN BY:	AF				
OWNER:	NOT FOR CONSTRUCTION	APPROVED BY:	X				
ADDRESS:	X	CHECKED BY:	SW				
CONTRACTOR:	X	DESCRIPTION: 8'x65' TRAILBLAZER PEDESTRIAN BRIDGE					
THIS BRIDGE STRUCTURE SHALL NOT BE FIELD MODIFIED IN ANY WAY WITHOUT THE CONSENT AND APPROVAL OF PIONEER BRIDGES. THESE DRAWINGS ARE THE PROPERTY OF PIONEER BRIDGES AND SHALL NOT BE REPRODUCED OR TRANSMITTED IN ANY MANNER WITHOUT THEIR WRITTEN CONSENT.							
						JOB NO. X	REV.
						SHEET 1	OF 1

NOT FOR CONSTRUCTION