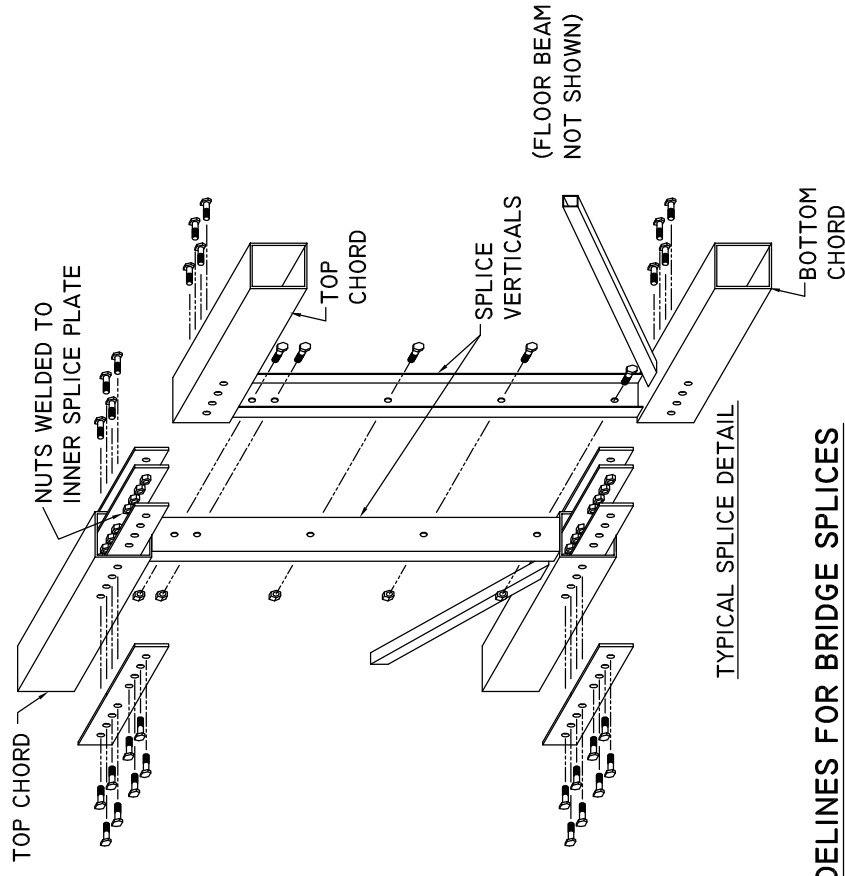


# PIONEER BRIDGE INSTALLATION GUIDELINES

NOTE: IT IS THE CONTRACTOR AND ERECTOR'S RESPONSIBILITY TO FOLLOW ALL SAFETY GUIDELINES FOR CRANE RIGGING AND OPERATION.



## GUIDELINES FOR BRIDGE SPLICES

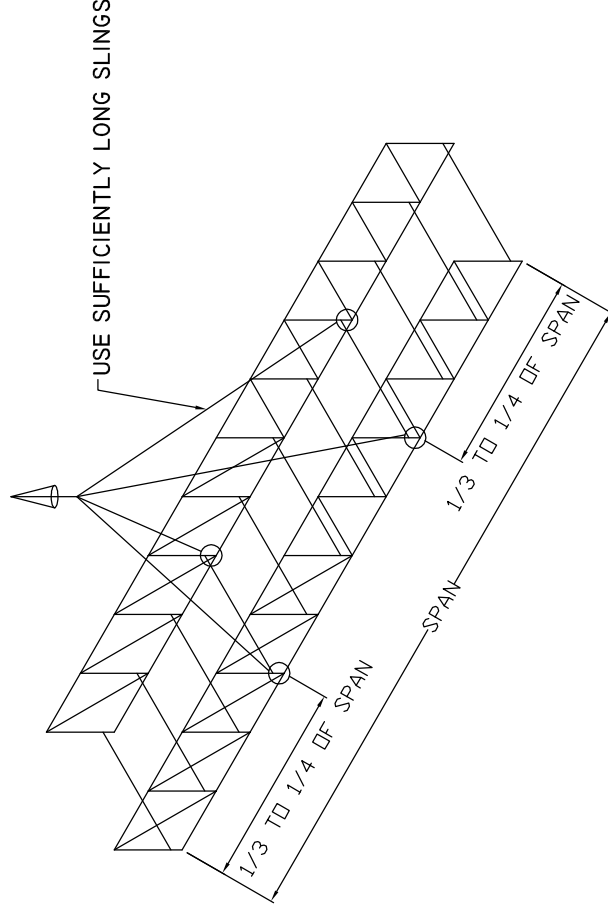
- DO NOT REMOVE SPLICE PLATES IF THEY ARE ATTACHED TO THE BRIDGE AS EACH PLATE IS MATCHED TO ITS RESPECTIVE JOINT AND MAY NOT BE INTERCHANGEABLE.
- LOOSEN ALL BOLTS IN EACH CHORD JOINT.
- ONE BRIDGE SECTION SHOULD BE "FREE" TO MOVE UP/DOWN OR LEFT/RIGHT (AS IF HELD BY A CRANE) TO ALLOW THE SECTIONS TO COME TOGETHER EASILY.
- USE CAUTION TO AVOID DAMAGING THE THREADS OF NUTS WITH A SPUD WRENCH. AFTER ALL BOLTS HAVE BEEN LOOSELY INSTALLED, TIGHTEN BOLTS AT THE CENTER OF THE PLATE FIRST AND WORK OUTWARD.
- BOLT TIGHTENING: WE RECOMMEND TURN OF THE NUT METHOD IN ACCORDANCE WITH THE "SPECIFICATION FOR STRUCTURAL JOINTS USING ASTM A325 OR A490 BOLTS." THIS METHOD IS DESCRIBED BELOW.

TURN OF THE NUT METHOD  
TIGHTENING MAY BE DONE BY IMPACT WRENCH OR HAND WRENCH. FIRST, ALL BOLTS ARE TIGHTENED TO A SNUG-TIGHT CONDITION. THIS IS ACHIEVED WHEN ALL CONTACT SURFACES OF THE JOINT ARE BROUGHT TOGETHER BY A FEW IMPACTS FROM AN IMPACT WRENCH OR THE FULL EFFORT OF A PERSON USING A SPUD WRENCH. A MATCH MARK IS PLACED ON THE BOLT HEAD (OR NUT) AND THE ADJACENT PLATE. ALL BOLTS ARE THEN TIGHTENED BY THE AMOUNT SPECIFIED IN THE TABLE BELOW.

BOLT LENGTH	BOTH FACES NORMAL TO BOLT AXIS	
	NUMBER OF NUT OR BOLT TURNS FROM SNUG-TIGHT CONDITION FOR HIGH-STRENGTH BOLTS*	NUMBER OF NUT OR BOLT TURNS FROM SNUG-TIGHT CONDITION FOR HIGH-STRENGTH BOLTS*
UP TO 4 DIAMETERS	1/3	1/3
OVER 4 DIAMETERS BUT NOT MORE THAN 8 DIAMETERS	1/2	1/2
OVER 8 DIAMETERS BUT NOT MORE THAN 12 DIAMETERS	2/3	2/3

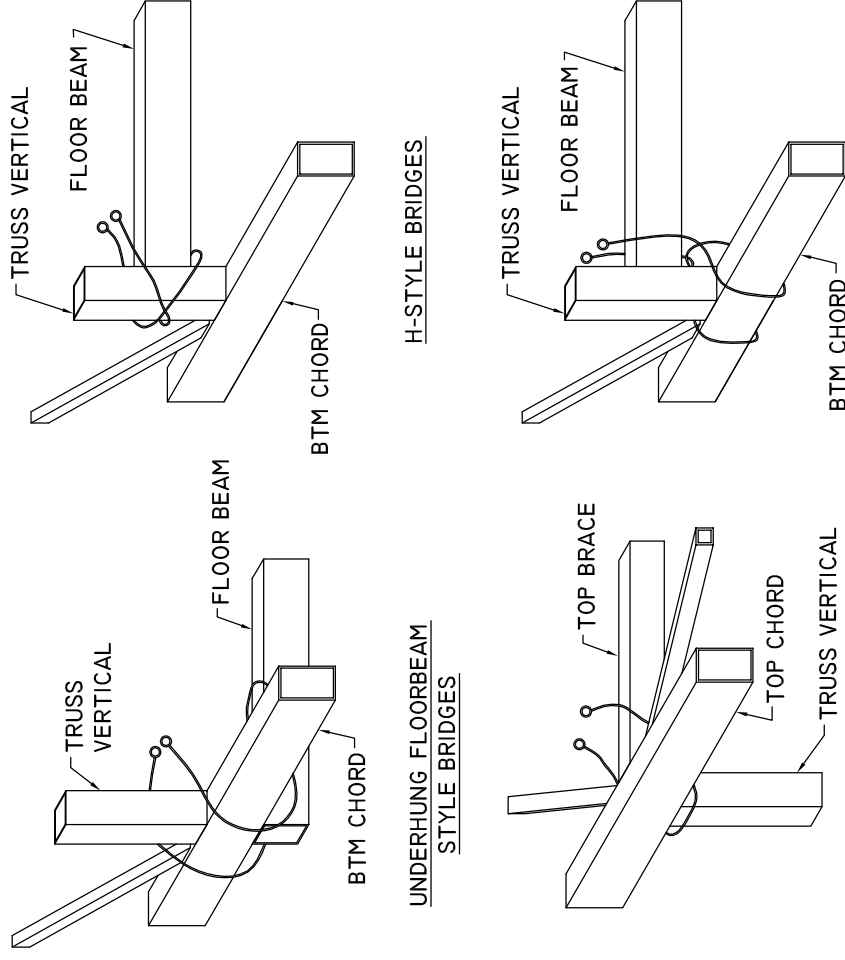
\* NUT ROTATION IS RELATIVE TO THE BOLT REGARDLESS OF WHETHER THE NUT OR BOLT IS TURNED. APPLICATION TOLERANCES ARE AS FOLLOWS:

- 1/2 TURN +/- 30 DEGREES
- 3/4 TURN +/- 30 DEGREES
- 1 TURN +/- 45 DEGREES

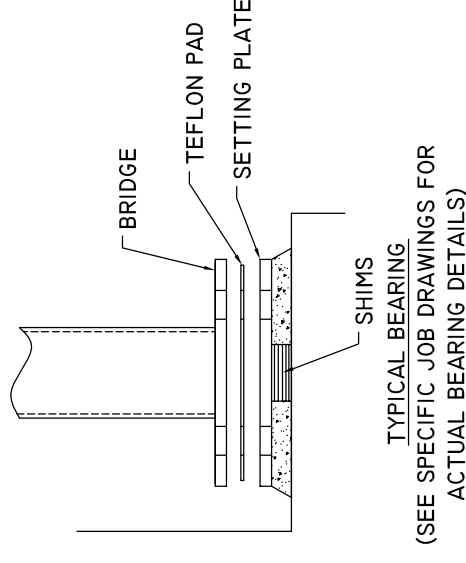


## GUIDELINES FOR LIFTING A PIONEER BRIDGE

- LIFT BRIDGE ONLY FROM BOTTOM CHORD, NOT FROM TOP CHORD.\*
- CONNECT AT PANEL POINTS ONLY (THE INTERSECTION OF TRUSS MEMBERS) AS INDICATED BELOW. PADDING IS RECOMMENDED TO PROTECT THE PAINT FROM SCRATCHES.
- USE CARE NOT TO DAMAGE BRIDGE RAILINGS.
- ALTERNATIVELY, A BRIDGE MAY BE LIFTED BY ITS TOP CHORD IF A SPREADER BEAM IS USED SO THAT THE TRUSSES ARE NOT PULLED INWARD BY THE SLINGS OR CHOKER.
- DO NOT LIFT BRIDGE FROM CENTER WITHOUT FIRST CONSULTING WITH PIONEER BRIDGES AS SOME MEMBERS CAN BE OVERSTRESSED.

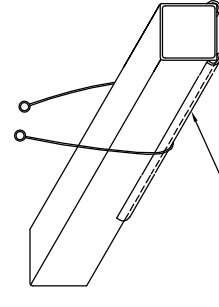


\*THIS STYLE MAY BE LIFTED BY THE TOP CHORD.

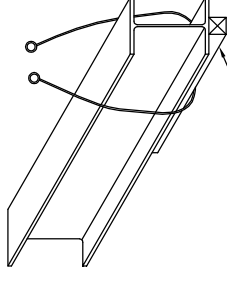


## GUIDELINES FOR BEARINGS

- SET THE SETTING PLATE ON APPROXIMATELY 1" OF SHIMS BEFORE SETTING THE BRIDGE.
- SET TEFLON PAD ON SETTING PLATE.
- SET BRIDGE ON TEFLON PAD.
- ADJUST SHIMS TO MAKE FLOOR FLUSH WITH BACKWALL OR APPROACH SLAB.
- GROUT SETTING PLATE AFTER BRIDGE IS SET. NEVER ATTEMPT TO GROUT SETTING PLATE BEFORE SETTING BRIDGE (DOING SO WILL VOID BRIDGE WARRANTY).



A SOFTENER (SUCH AS SPLIT PIPE) IS RECOMMENDED FOR THIN-WALL TUBES.



TIMBER SOFTENER MAY BE USED ON WIDE-FLANGE CHORDS. (DO NOT USE ON TUBE CHORDS!)



A DIVISION OF  
BAILEY BRIDGES, INC.  
119 40th Street NE  
Fort Payne, AL 35967  
1-866-108-5778

PROJECT:	REFERENCE DRAWING	DRAWN BY:	AF 1/14/09
OWNER:	X	APPROVED BY:	X
ADDRESS:	X	CHECKED BY:	RGG 1/15/09
CONTRACTOR:	X	DESCRIPTION:	PIONEER BRIDGE INSTALLATION INSTRUCTIONS

THIS BRIDGE STRUCTURE SHALL NOT BE FIELD MODIFIED IN ANY WAY WITHOUT THE CONSENT AND APPROVAL OF PIONEER BRIDGES. THESE DRAWINGS ARE THE PROPERTY OF PIONEER BRIDGES AND SHALL BE KEPT IN ANY WAY DETRIMENTAL WITHOUT THEIR WRITTEN CONSENT.

H-STYLE BRIDGES  
ALTERNATIVELY, WRAP CHOKER  
UNDER BOTTOM CHORD

TOP-BRACED BRIDGES  
THIS STYLE MAY BE LIFTED BY THE TOP  
CHORD.

\* NUT ROTATION IS RELATIVE TO THE BOLT REGARDLESS OF WHETHER THE NUT OR BOLT IS TURNED. APPLICATION TOLERANCES ARE AS FOLLOWS:

- 1/2 TURN +/- 30 DEGREES
- 3/4 TURN +/- 30 DEGREES
- 1 TURN +/- 45 DEGREES